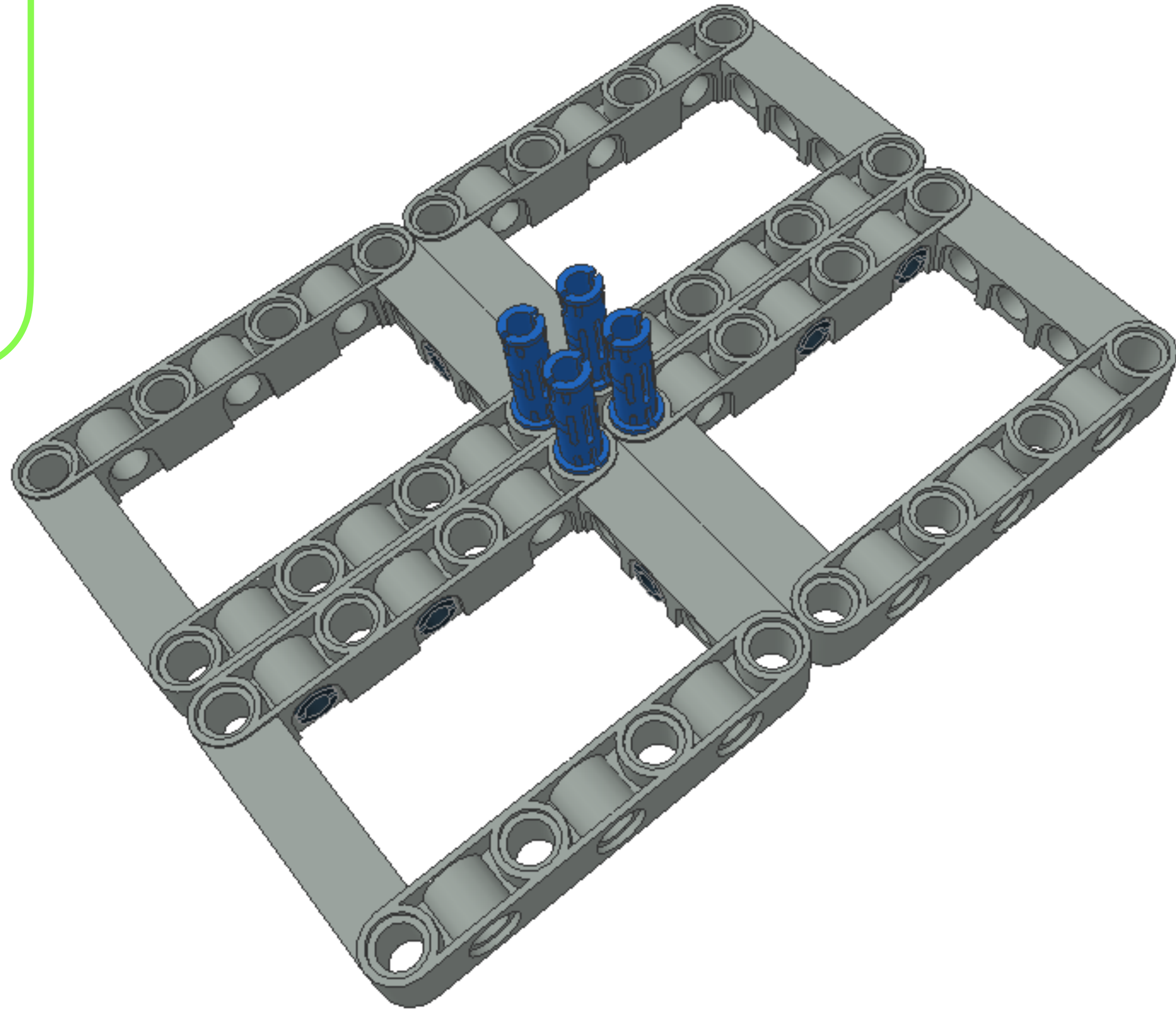
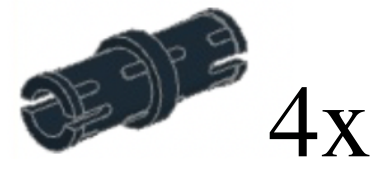
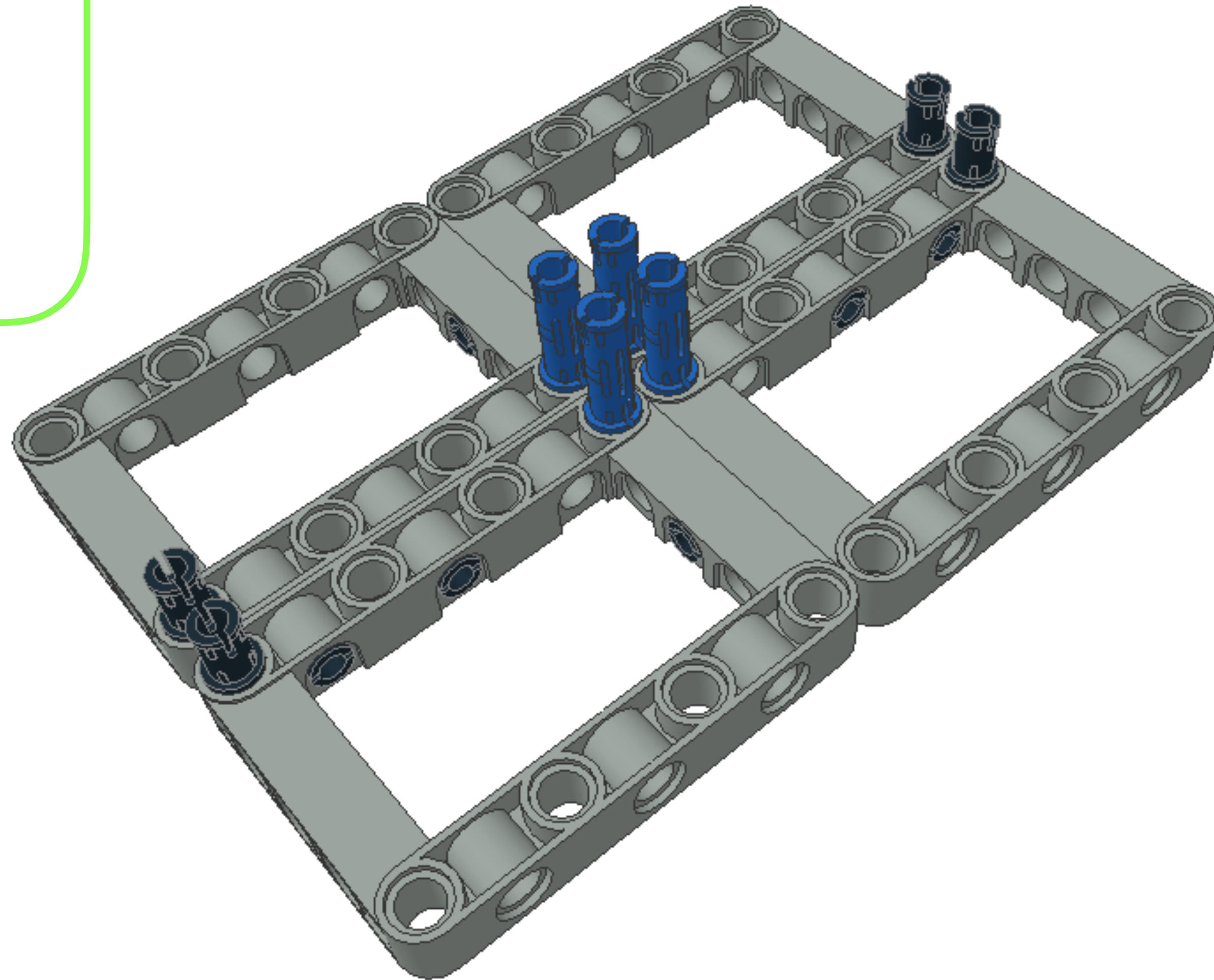


2x

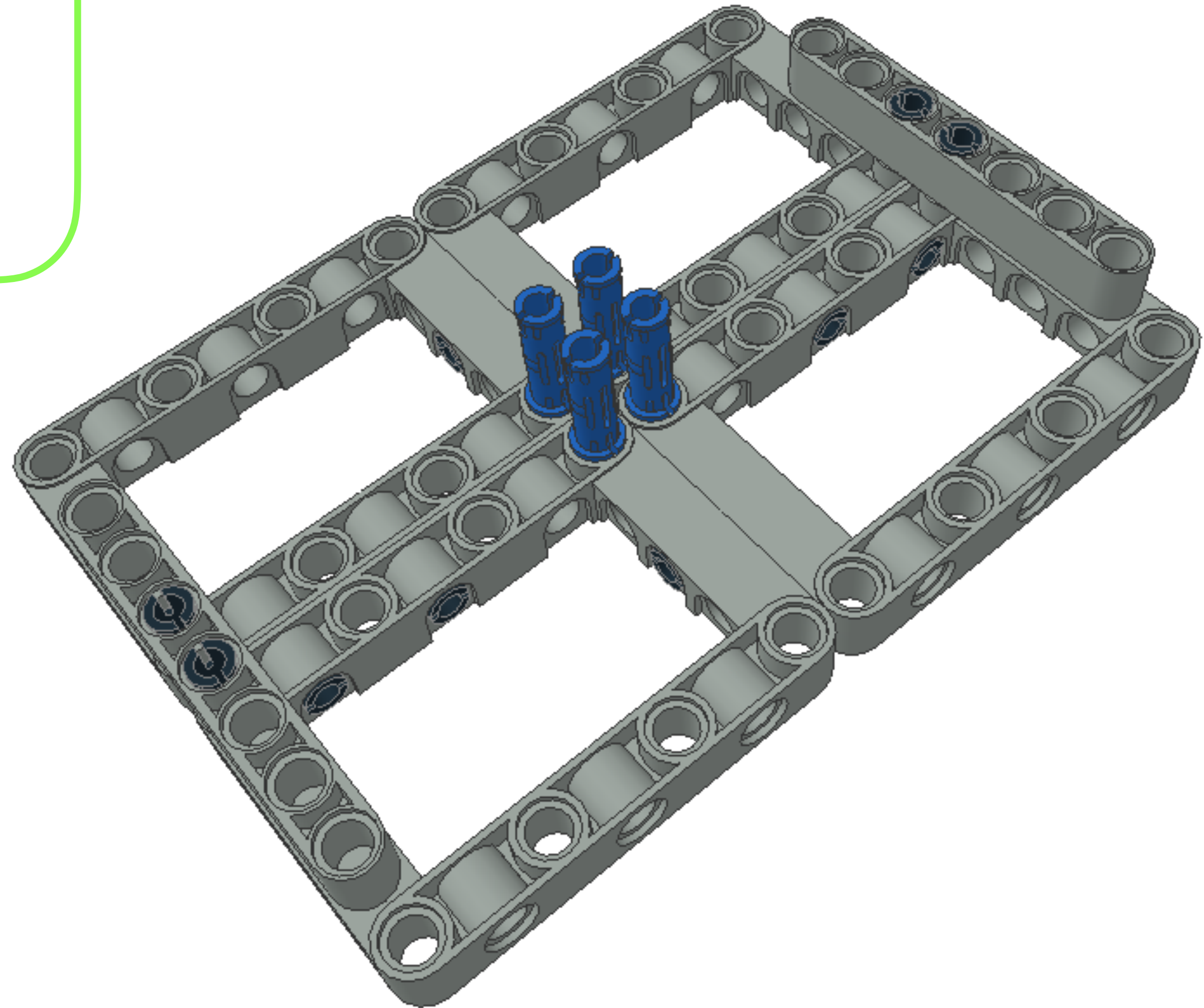
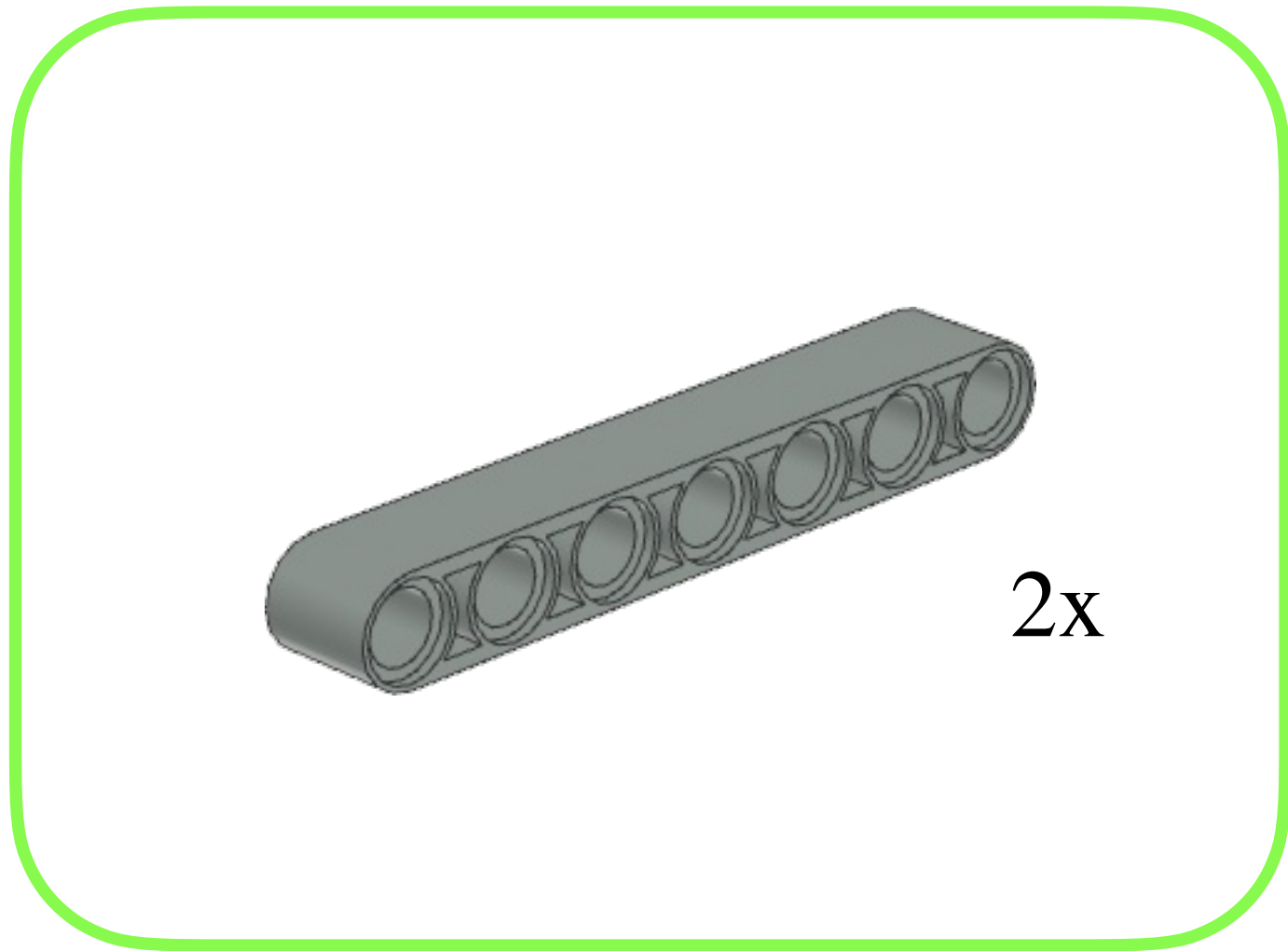


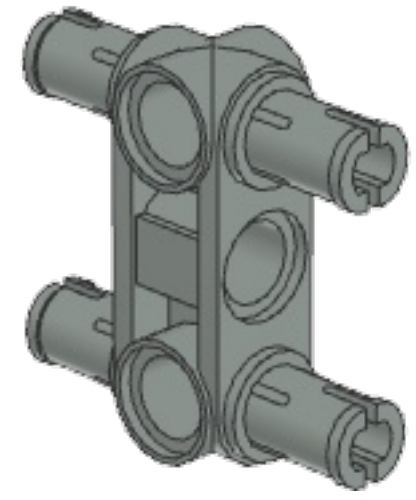


4x

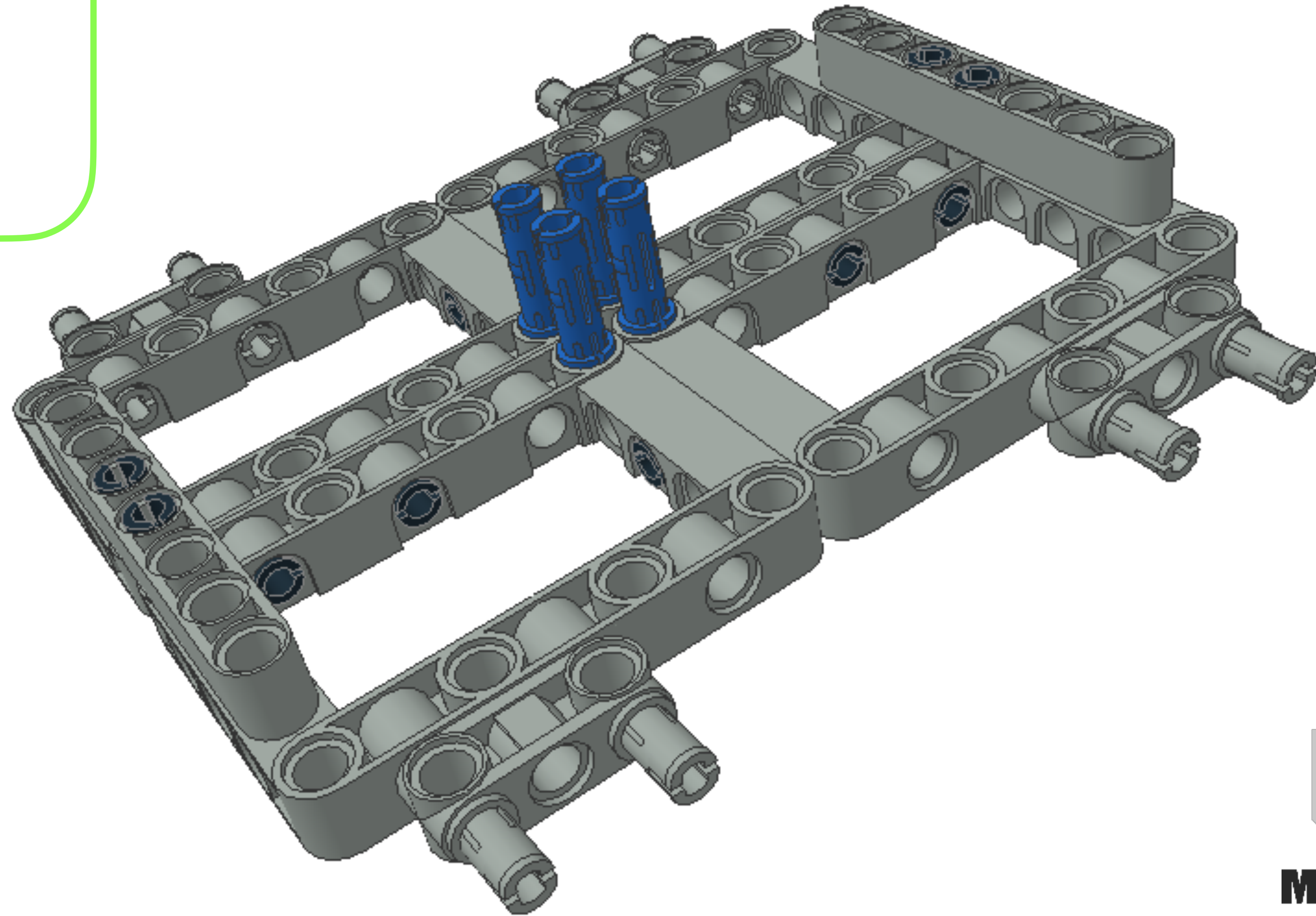


**MAKER ROBOTICS
CHALLENGE**

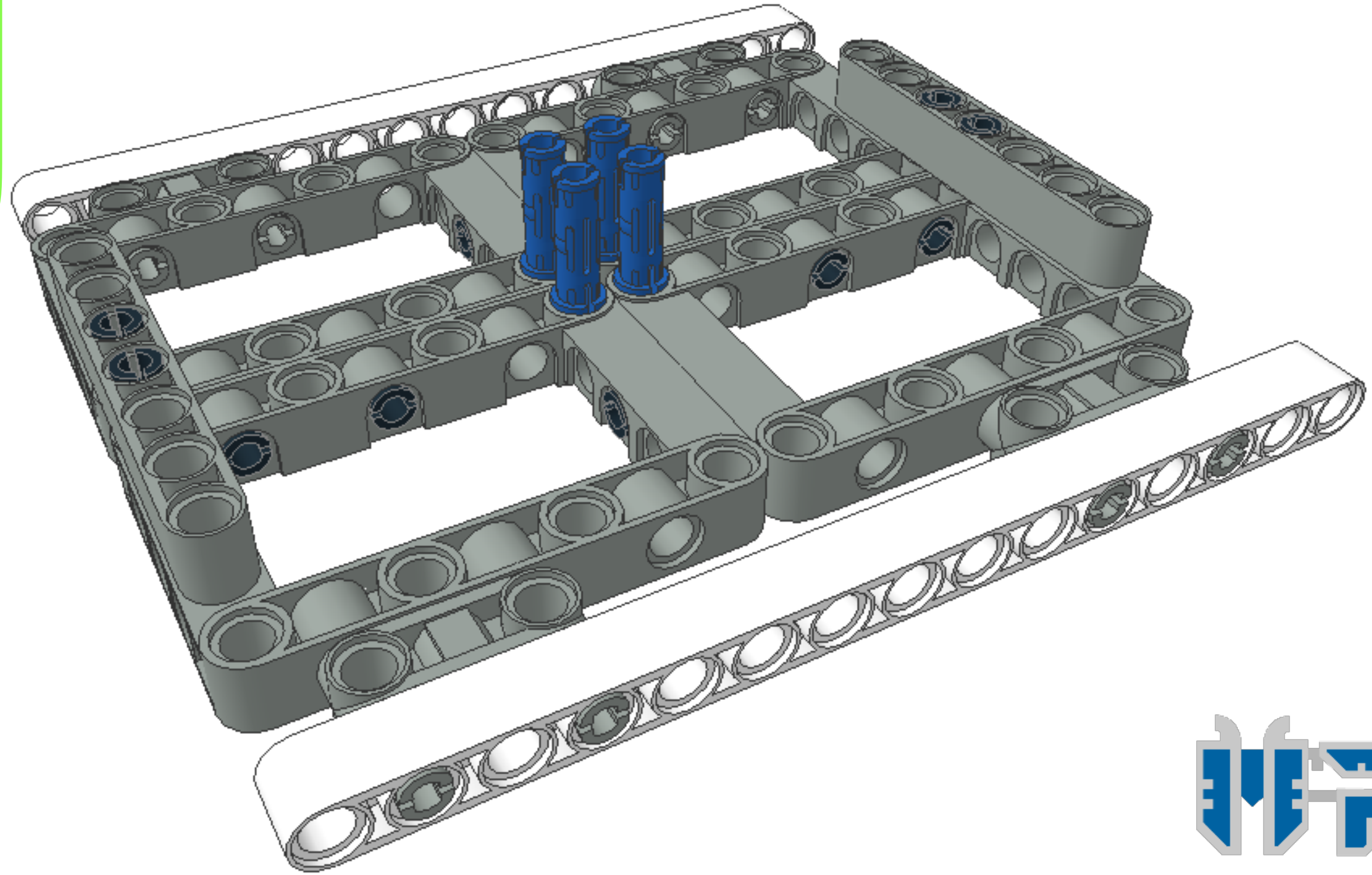
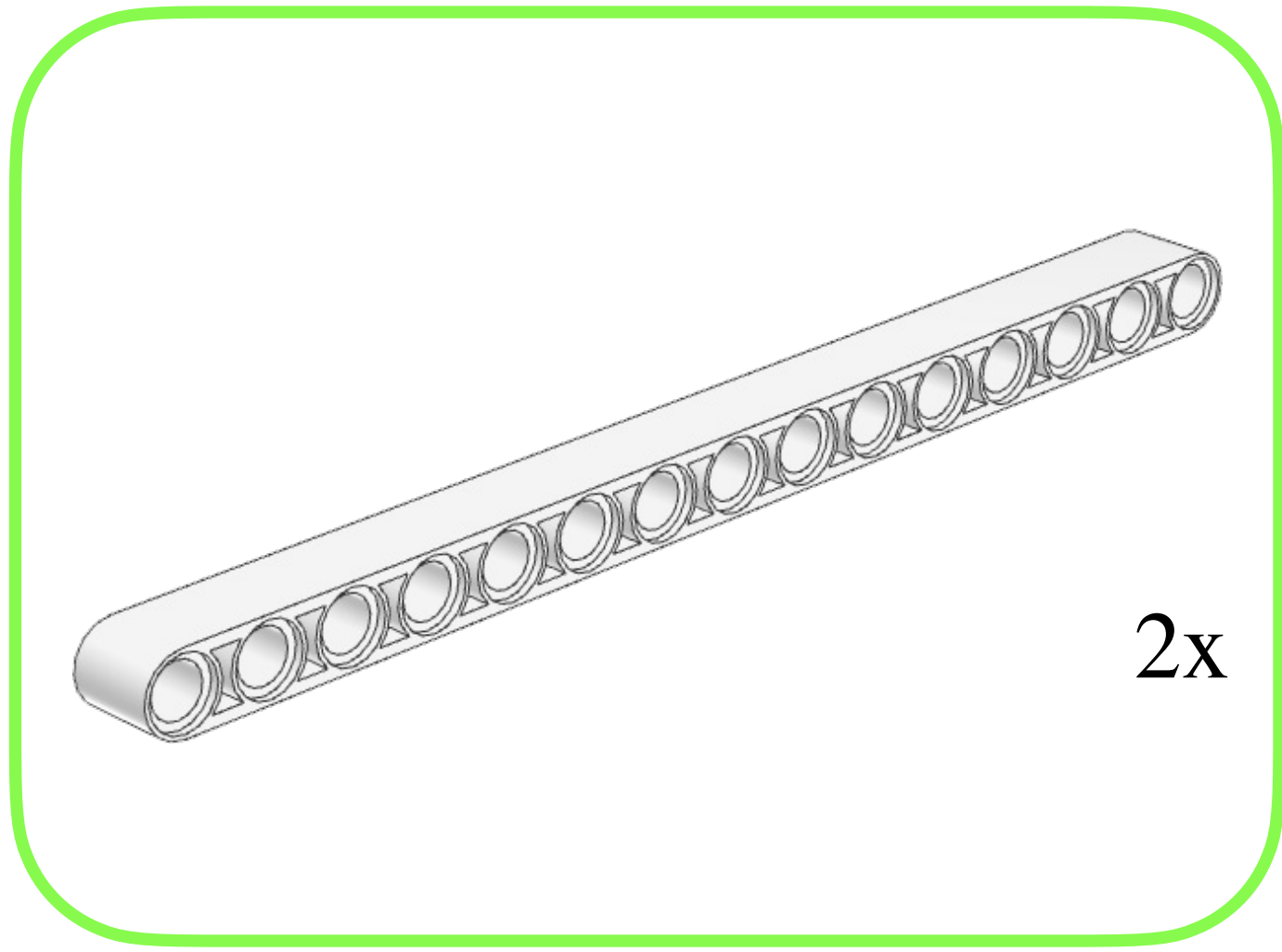


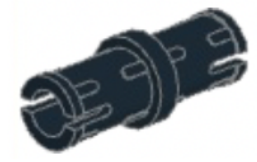


4x

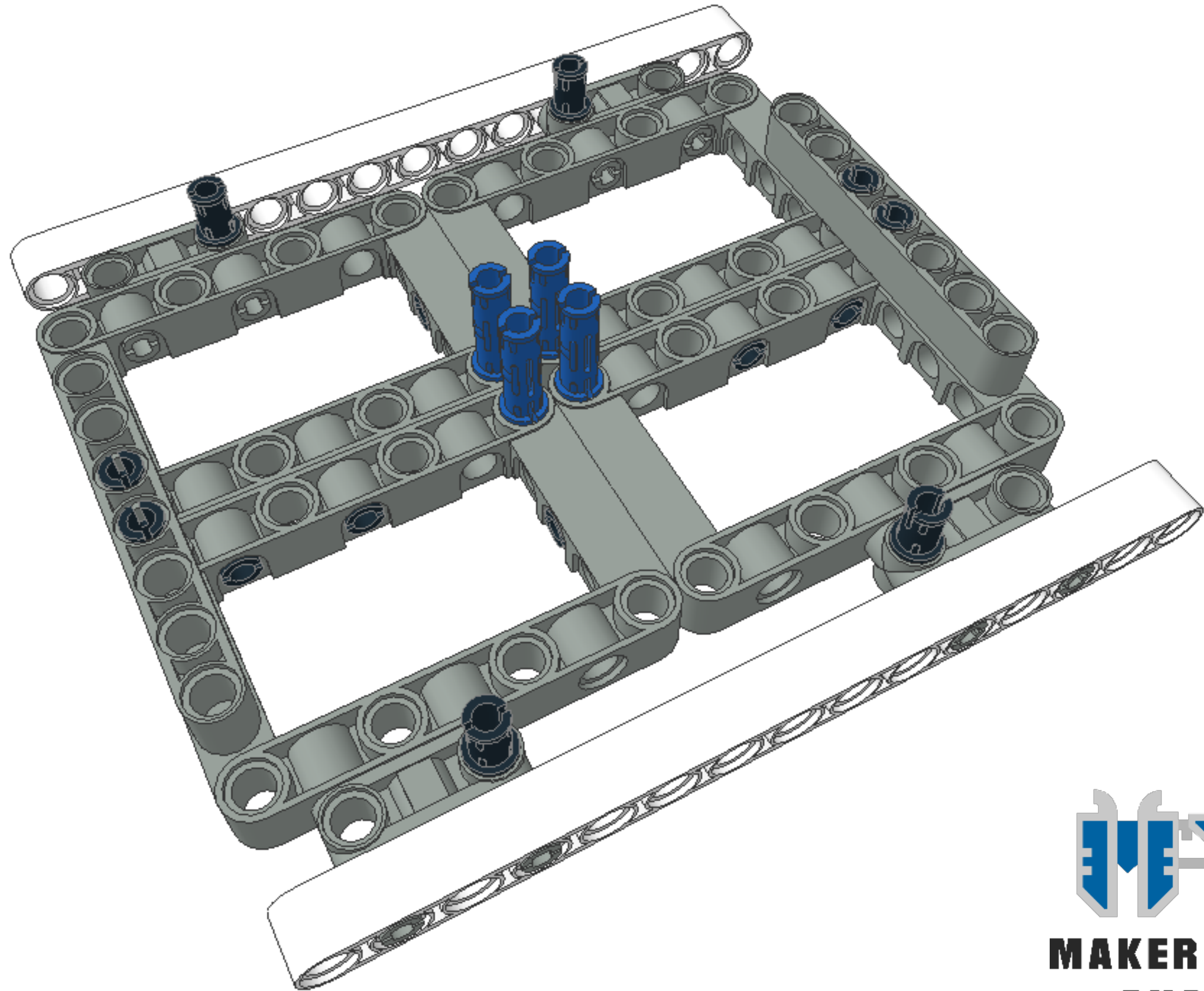


**MAKER ROBOTICS
CHALLENGE**

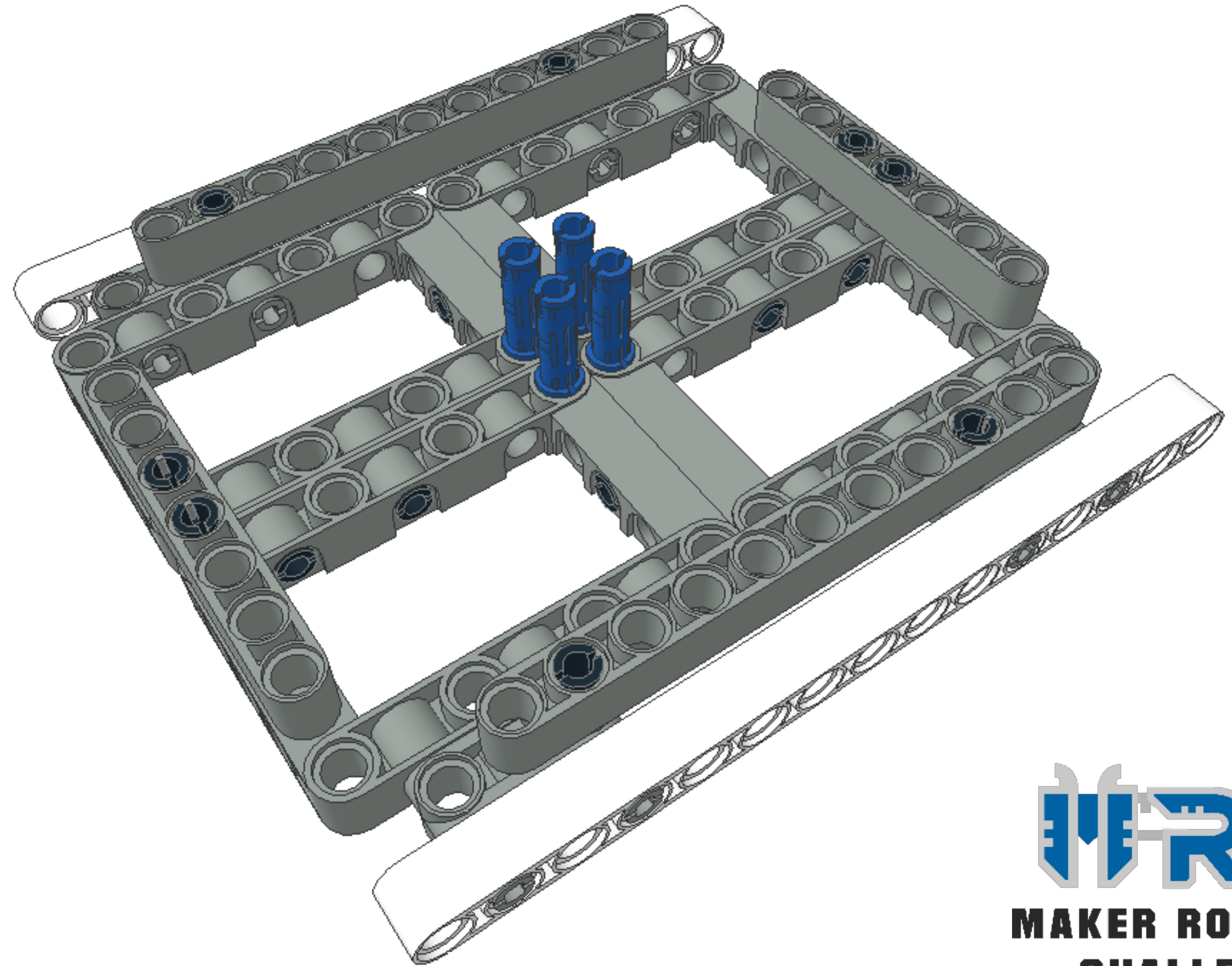
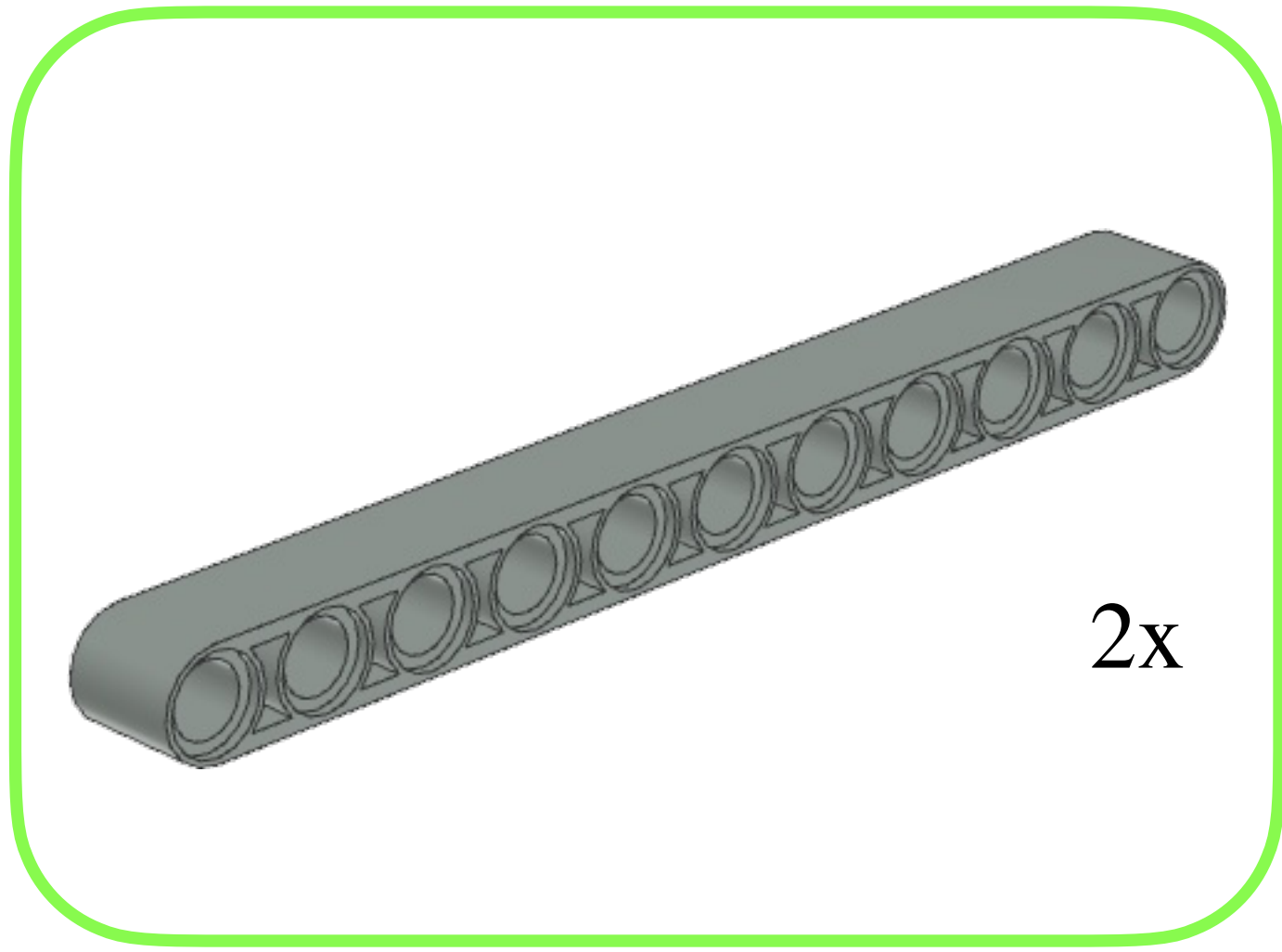


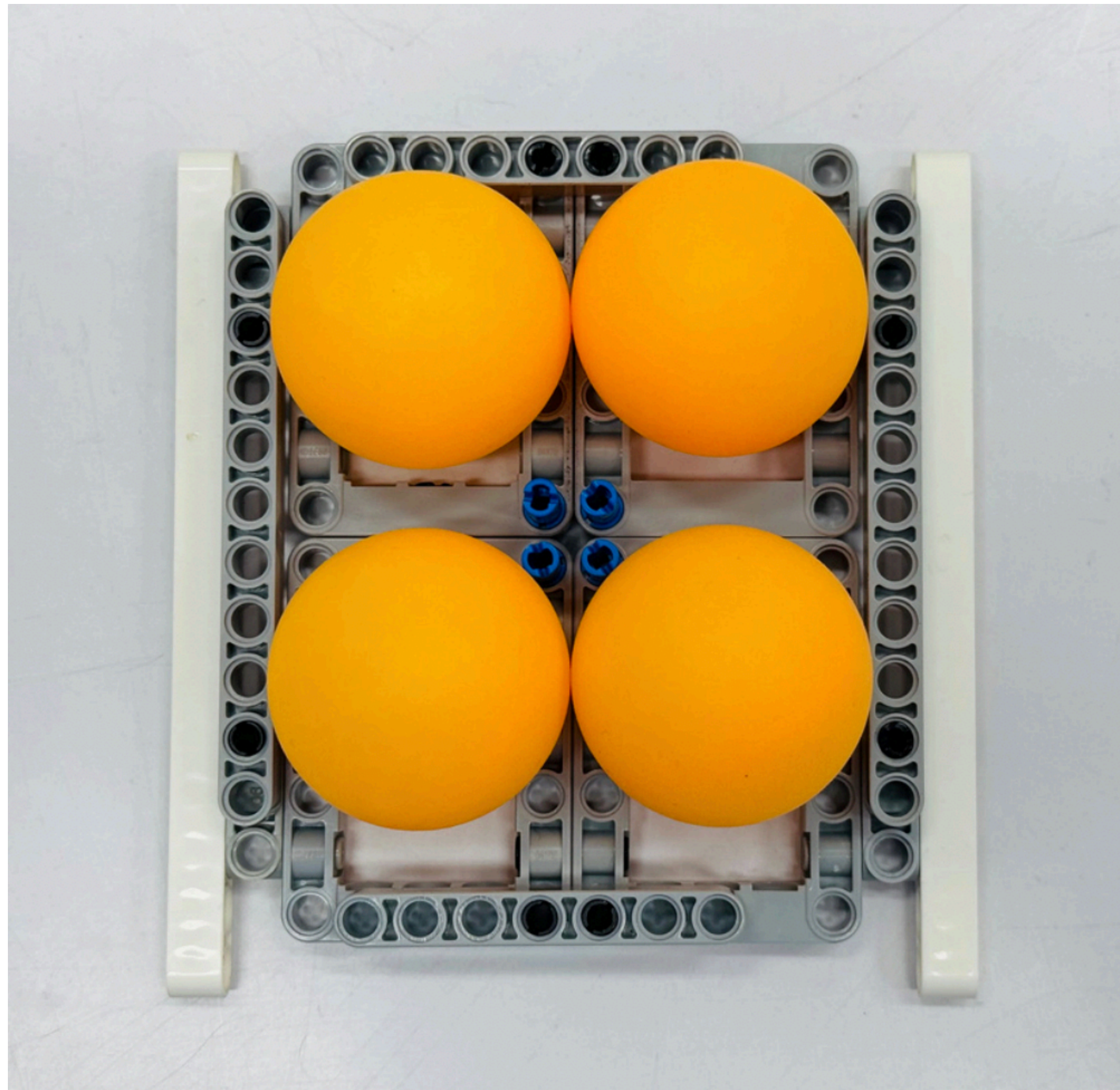


4x



**MAKER ROBOTICS
CHALLENGE**





This is an example. (The ball is a ping-pong ball.)